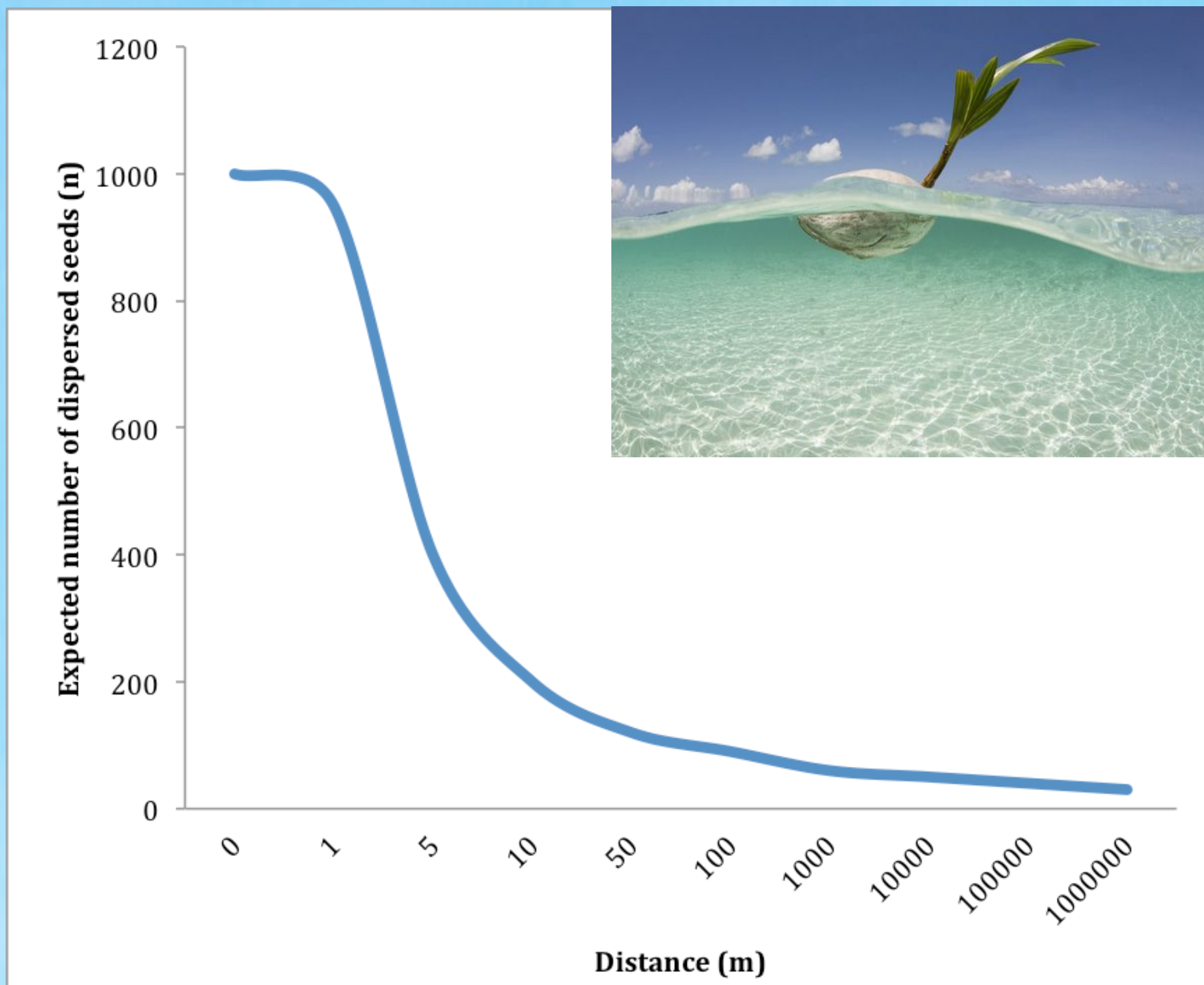
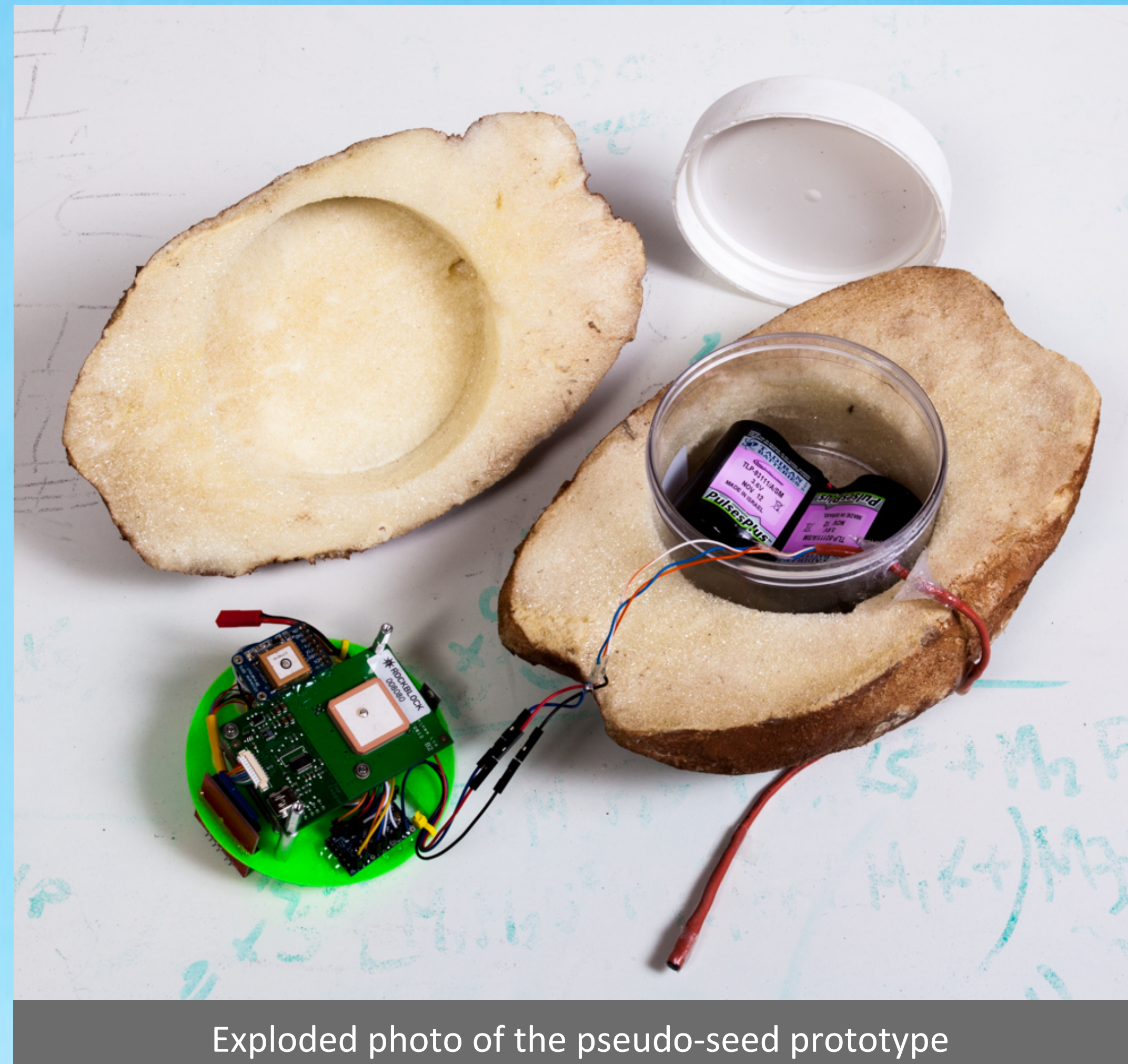


Design and Development of a Sampling Platform to Study Long Distance Seed Dispersal

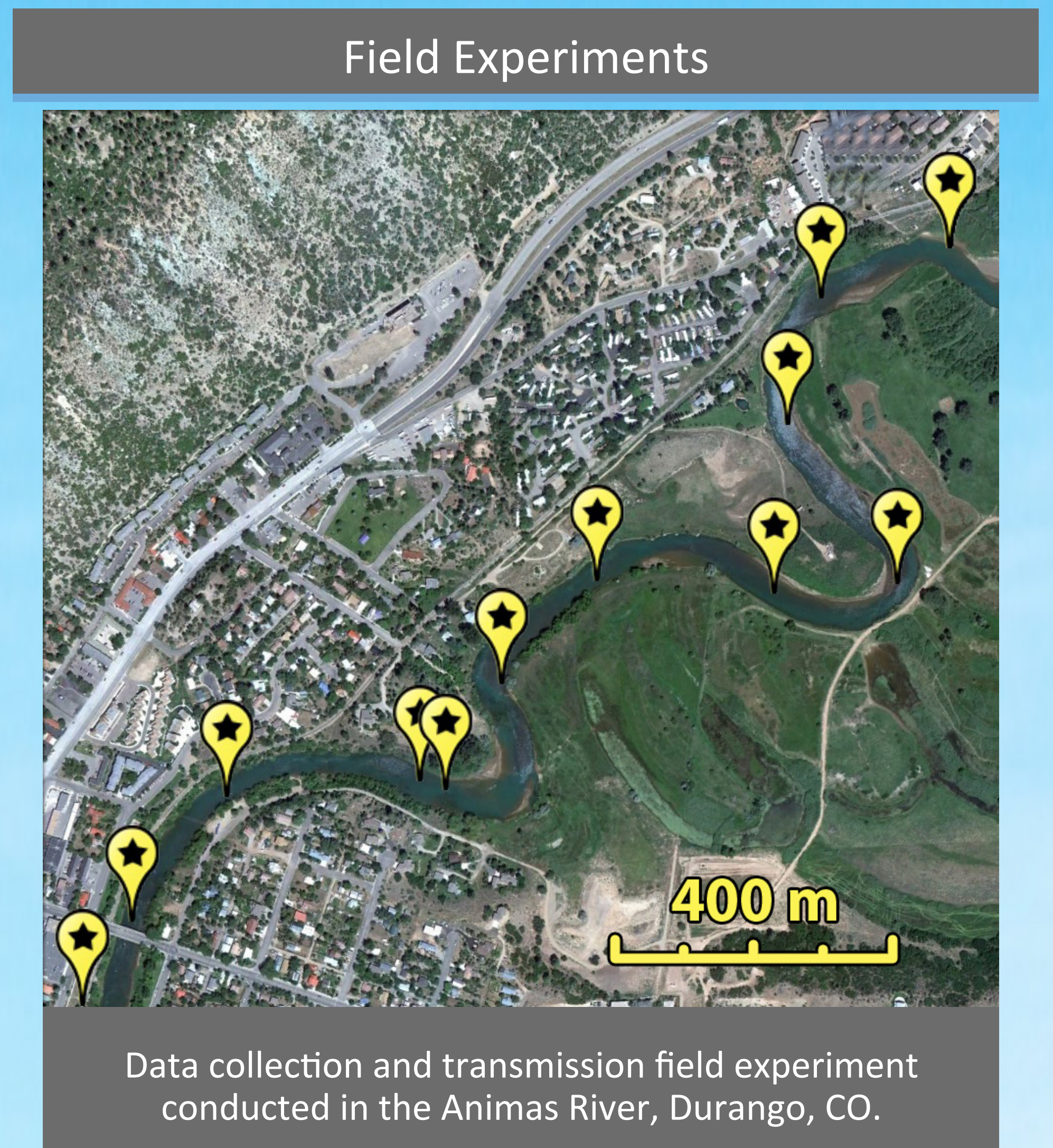
Jonathan Ogle*, John Naglak*, Isaac Blue Eyes*, Collin Miller*, Aleph Baumbach*, Peter Prentis†, York R. Smith‡, and Ryan N. Smith*
 *Department of Physics and Engineering, Fort Lewis College, Durango, CO 81301, USA
 †School of Earth, Environmental and Biological Sciences, Queensland University of Technology, Brisbane, 4001 Australia
 ‡Metallurgical Engineering Department, University of Utah, Salt Lake City, UT 84112, USA
 Corresponding Author Email: rnsmith@fortlewis.edu



A representation of the fat tailed dispersal kernel for seeds of coastal plants that remain buoyant for long time periods immersed in the ocean.



Exploded photo of the pseudo-seed prototype



Data collection and transmission field experiment conducted in the Animas River, Durango, CO.

Introduction

Recent theoretical research has shown that ocean currents and wind interact to disperse seeds over long distances among isolated landmasses [1]. Dispersal of seeds among isolated oceanic islands, by birds, oceans and man, is a well-known phenomenon, and many widespread island plants have traits that facilitate this process [2]-[5]. Crucially, however, there have been no mechanistic vector-based models of long-distance dispersal for seeds among isolated oceanic islands based on empirical data.

Here, we propose an experimental methodology and present a novel sensor platform to circumvent these limitations and directly estimate a mechanistic, vector-based model of seed dispersal in the ocean [3]-[5],[6],[7].

We have developed seed analogues, or pseudoseeds, outfitted with wireless sensor technology that will enable high-fidelity tracking as they disperse across large distances in the ocean. The pseudoseeds are precisely designed to mimic actual seed buoyancy and morphology enabling realistic and accurate, vector-based dispersal models of ocean seed dispersal over vast geographic scales.

System Design

Communication: RockBlock satellite transmitter featuring the Iridium 9602 modem with full global coverage.

Location: Adafruit Ultimate GPS Breakout for the MTK3339 chipset.

Motion: 6-axis magnetometer/accelerometer (LSM303DLMTR on a Sparkfun breakout board) is used to gather motion data for calculation of wave spectra.

Temperature: Silicon band-gap sensor with 12-bit output gives a precision of 0.0625 °C and an accuracy of 0.5°C.

Microcontroller: Atmel ATmegaXXXp family offers Serial Peripheral Interface (SPI), Inter-Integrated Circuit (I²C/TWI), USART, 8-bit Pulse-Width-Modulation (PWM), and 8-channel 10-bit analog-to-digital convertor (ADC) hardware. Internal memory from 32KB to 128KB. Current consumption in sleep-mode < 10µA. Flexible supply voltage.

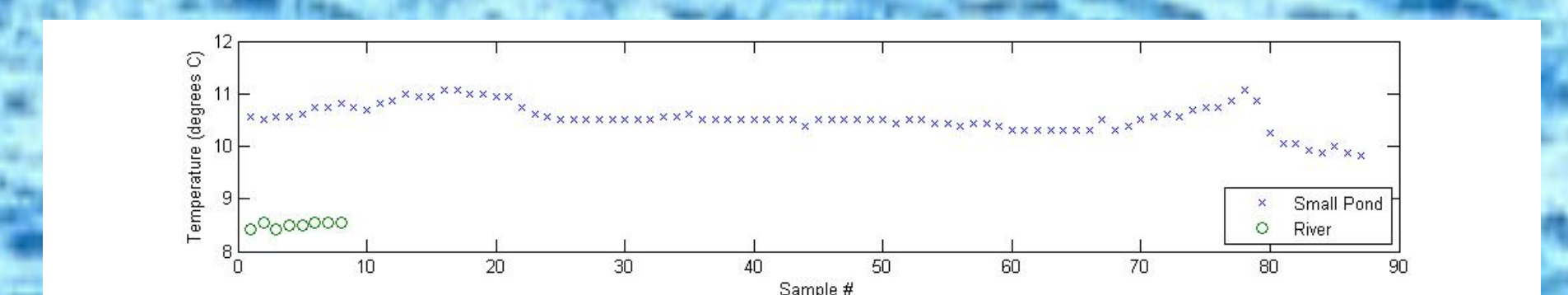
Batteries: Tadiran PulsesPlus Lithium Thionyl Chloride cell of bobbin construction with sealed hybrid layer capacitor. 22 Ah required for > 1-year deployment.

Power Supply: 3.3V switch-mode Buck supply with external Enable. 5V boost supply with external Enable.

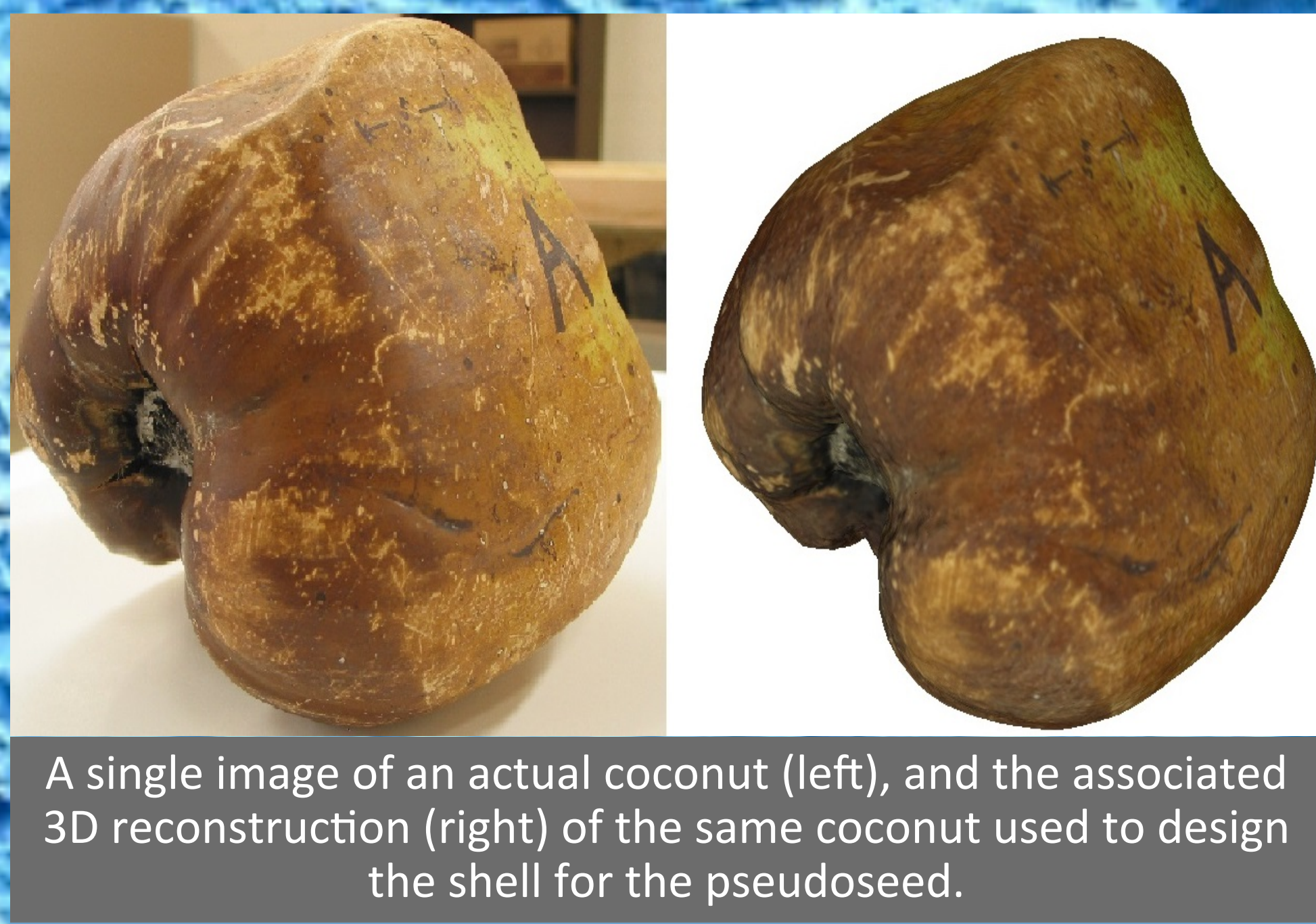
Field Experiments



Locations of Pseudoseed in a small pond.



Water temperature recorded over the duration of the pond and river field test.



A single image of an actual coconut (left), and the associated 3D reconstruction (right) of the same coconut used to design the shell for the pseudoseed.

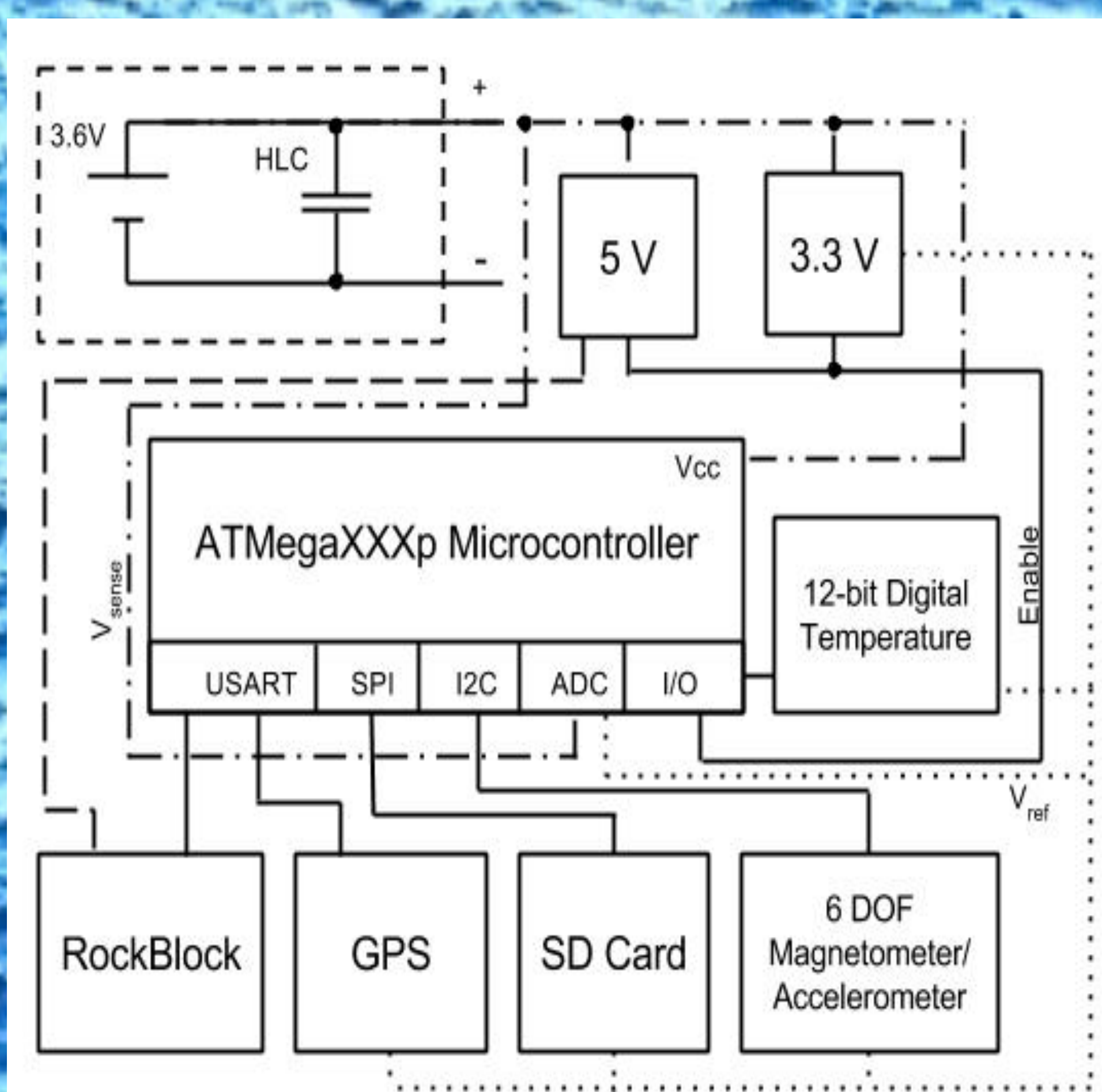


Figure 4: Pseudoseed function block diagram at subsystem level.

Data Handling

Data Collection: The GPS obtains a coordinate fix while temperature and accelerometer/magnetometer data are collected.

Processing: The data are converted and formatted for transmission.

Transmission: RockBLOCK Unit by Rock Seven Mobile Services transmits data. The RockBLOCK generally requires from 20 seconds up to a few minutes to determine location, and transmit data. The RockBLOCK can receive 270 bytes from Rock 7 server (unused for this application) and can send 340 bytes to the Rock 7 server.

Datalogging: The microcontroller logs the GPS, temperature, and motion data, as well as the transmission result from the RockBlock, to an onboard SD Card.

Conclusion

The proposed pseudoseed design maintains the morphology of a coconut, while also collecting and transmitting the data necessary to perform LDD theory studies. The hardware selected for the design allows for collection and transmission of temperature and motion data with excellent power efficiency and low cost. The 128-bit resolution of the FFT data has proven to provide excellent information on waveform intensity that could be used for wave spectrum calculations and predictive path modeling. This design platform is also very modifiable to be used for different observation and analysis, with its only limitation the fact that its migration is directly dependent on wind and water currents.

Further cost efficiency can be reached by implementing a single board electronics design which encompasses all the primary subsystems. Additionally, a CT sensor capable of recording ocean salinity and temperature would be ideal for salinity studies, but is generally limited by weight and power consumption. One feasible option is available from StarODI [8]. Other interesting oceanic studies this platform could be used for, include implementing a Geiger counter to observe ocean surface radioactivity.

Work Cited

- M. L. Cain, B. G. Milligan, and A. E. Strand, "Long-distance seed dispersal in plant populations," *American Journal of Botany*, vol. 87, no. 9, pp. 1217-1227, Sep. 2000. [Online]. Available: <http://www.amjbot.org/content/87/9/1217.full>
- R. Nathan, F. M. Schurr, O. Spiegel, O. Steinitz, A. Trakhtenbrot, and A. Tsoar, "Mechanisms of long-distance seed dispersal," *Trends in Ecology & Evolution*, vol. 23, no. 11, pp. 638-647, Nov. 2008. [Online]. Available: <http://linkinghub.elsevier.com/retrieve/pii/S0169534708002723>
- P. Prentis, "Seed dispersal, germination and fine-scale genetic structure in the stream lily, *halmholtzia glaberrima* (philydraceae)," Ph.D. dissertation, Queensland University of Technology, 2007.
- J. Smith, "Drift disseminules on fijiian beaches," *New Zealand Journal of Botany*, vol. 28, no. 1, pp. 13-20, 1990. [Online]. Available: <http://www.tandfonline.com/doi/abs/10.1080/0028825X.1990.10412339>
- R. N. Smith, P. Prentis, K. Langendoen, and P. Corke, "Pseudoseeds: Investigating long-distance, ocean seed dispersal with wireless sensors," in *IEEE/RSJ International Conference on Intelligent Robots and Systems, Workshop on Robotics for Environmental Monitoring*, 2011.
- R. Nathan, "Long-distance dispersal of plants." *Science*, vol. 313, no. 5788, pp. 786-788, Aug. 2006. [Online]. Available: http://adsabs.harvard.edu/cgi-bin/nph-data_query?bibcode=2006Sci...313..786N&link_type=EJOURNAL
- S. I. Higgins, R. Nathan, and M. L. Cain, "Are long-distance dispersal events in plants usually caused by nonstandard means of dispersal?" *Ecology*, vol. 84, no. 8, pp. 1945-1956, 2003. [Online]. Available: <http://www.esajournals.org/doi/abs/10.1890/01-0616>
- STAR ODDI. (2014) Logging life science. <http://www.star-oddi.com/>. [Online]. Available: <http://www.star-oddi.com/>

Algorithm 1: Microcontroller Processing

```

1 BEGIN: Initialize components
2 while Battery level is OK do
3   Collect GPS;
4   Collect accelerometer;
5   Read temperature;
6   Process accelerometer data;
7   Write raw data to SD card;
8   Compile 41 character data packet;
9   Transmit data packet and location via ROCKBLOCK;
10  Low-power sleep to timer interrupt;
11 end
12 Enter long sleep mode
    
```

Algorithm 2: Significant wave height analysis

```

1 Gather accelerometer data
2 Determine length of accelerometer data (L)
3 if L < 128 then
4   Concatenate with zeros so that L | 128;
5 end
6 Let n = L/128;
7 for j = 1, ... , n do
8   Process FFTj;
9 end
10 Average(FFTj)2;
11 Compute major modes;
12 Compute Hs, Tp;
    
```