

USC Viterbi
School of Engineering

An Integrated Speech-To-Text Parser for a Humanoid Robot

Gregory Koch

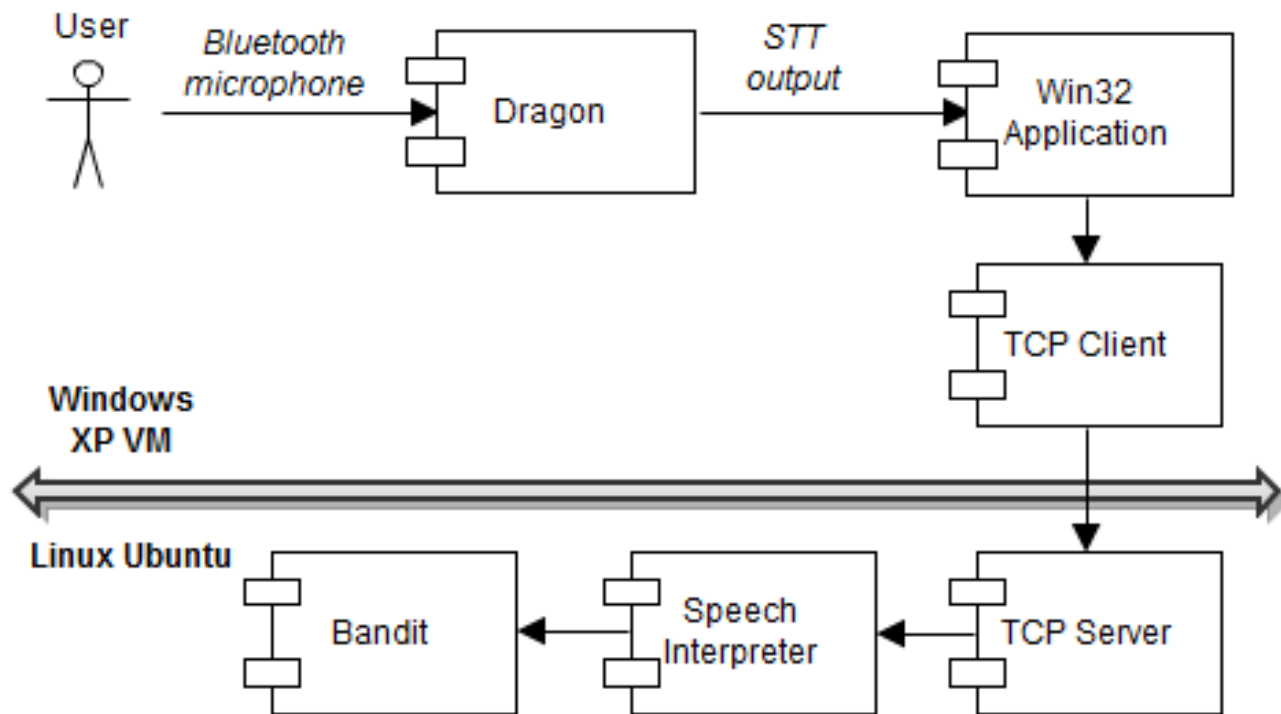
USC Interaction Lab, REU 2011
with Juan Fasola, Ph.D. Student
Supervised by Prof Maja Matarić

Enhancing Speech Synthesis

- More versatile speech controls
 - stop() function
 - resume() function
 - restart() function
- Contextual awareness
- Flexibility – key for good interaction

Speech-to-text Engine

- Used *Dragon NaturallySpeaking* on a Windows VM to integrate speech-to-text capacity



Integrated NLP System

- Used Stanford NLP parser to process input data from microphone

Online demo: <http://robotics.usc.edu/~gkoch/project.html>

- Created Java application to interface between SNLP parser and Bandit
- Wrapped applications in ROS nodes

